



# ECO 3" SHALLOW PLENUM

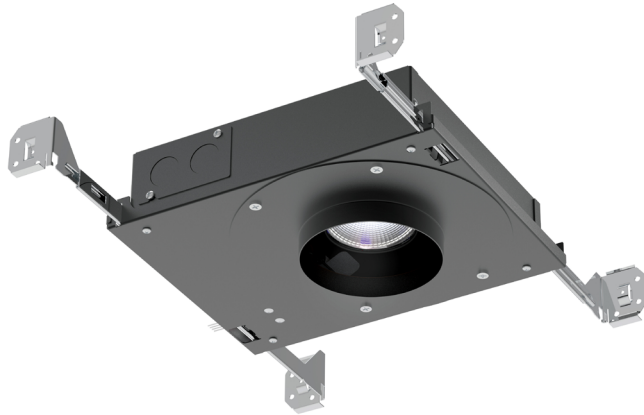
PROJECT: \_\_\_\_\_

TYPE: \_\_\_\_\_

NOTE: \_\_\_\_\_

SPEC-00272 NEW ECO, 3" SP, V-3.1, UPDATED 05/19/2023

ED3SNIC



- The Overachiever, recessed downlight system
- Silent Vu™ Optic Technology provides exceptional light performance with minimal glare
- Installs in low plenum spaces

## ECO FULL SERVICE RECESSED DOWNLIGHT SOLUTIONS

ED3S - Shallow Plenum

Up to 1319 Delivered Lumens

Universal Dimming Driver

### LED LIGHT ENGINE

RATED WATTAGE	13.4W
DELIVERED LUMENS	Up to 1319 lm
EFFICACY	Up to 98 LPW
CCT @ 90CRI	2700K, 3000K, 3500K, 4000K, Warm Dim
COLOR QUALITY	90+ CRI, 2-Step SDCM
LED LIFETIME	55,000 hours @ L90

### DELIVERED LUMENS MATRIX

ED3SNIC (13.4W)	10° Optic	30° Optic	50° Optic	80° Optic
2700K (90CRI)	1312 lm	1269 lm	1158 lm	819 lm
3000K (90CRI)	1343 lm	1371 lm	1252 lm	885 lm
3500K (90CRI)	1382 lm	1403 lm	1281 lm	905 lm
4000K (90CRI)	868 lm	1445 lm	1319 lm	932 lm
Warm Dim (98 CRI, R9>90)	423 lm	938 lm	846 lm	604 lm

### SILENT VU™ OPTICS TECHNOLOGY

OPTICS	50° Installed, 10°, 30°, 80° available
MEDIA	Clear, Solite, Frosted, Linear Spread

### POWER SUPPLY

INPUT VOLTAGE	120/277V, 50/60Hz
DIMMING	TRIAC, ELV, 0-10V, dims to 1%
SERVICABILITY	Below Ceiling Access

### TRIM OPTIONS

- Round or Square
- Standard or Trimless
- Wall Wash
- Wet Location

### TRIM COLORS

- White
- Black
- Champagne
- Champagne w/ White Flange
- Black w/ White Flange
- Silver w/ White Flange

### HOUSING INSTALLATION

- New Construction includes (2) galvanized steel adjustable hanger bars
- 5/8" – 2" ceiling thickness
- Min Plenum Height: 2½" Shallow
- Ceiling Material: Drywall, T-bar grid
- Steel junction box with up to (4) ½" knockouts
- Air Tight
- CCEA compliant.

(Note: polycell spray-in foam insulation must be kept 3" from housing)

### LISTINGS AND WARRANTY

cULus Listed	ASTM E283 Certified Airtight
UL Listed for Damp Location	UL Listed for Wet Location (Wet Location Trim Style)
IC Rated	CCEA (Chicago Plenum) Approved
Five (5) years limited warranty	CA Title 24-JA8 Compliant





**ECO 3"  
SHALLOW PLENUM**

PROJECT: \_\_\_\_\_

TYPE: \_\_\_\_\_

NOTE: \_\_\_\_\_

SPEC-00272 NEW ECO, 3" SP, V-3.1, UPDATED 05/19/2023

ED3SNIC

**ORDER MATRIX**

**ED3S**

ECO 3" SHALLOW PLENUM HOUSING + LIGHT ENGINE ORDER MATRIX (Example: ED3SNIC-309050-15S)

HOUSING BASE		LED PERFORMANCE			DRIVER ASSEMBLY	
FAMILY APERTURE	INSTALLATION TYPE	CCT	CRI	OPTIC	WATTAGE	LED DIMMING DRIVER
<b>ED3S</b> ECO 3" Shallow Plenum	<b>NIC</b> (New Construction, IC, CCEA)	<b>-27</b> (2700K) <b>-30</b> (3000K) <b>-35</b> (3500K) <b>-40</b> (4000K)	<b>90</b> (90 CRI)	<b>50</b> (50° Flood) Installed 10°, 30°, 80° optics available from the Additional Optics Accessories table below	<b>-15</b> (13.4W)	<b>S</b> Universal Dimming Driver (1%-100% 0-10V, TRIAC, ELV, 120V/277V)
<b>ED3S</b> ECO 3" Shallow Plenum Warm Dim	<b>NIC</b> (New Construction, IC, CCEA)	<b>-WD</b> (1800K~3000K) Warm Dim	<b>98</b> (98 CRI) Warm Dim	<b>50</b> (50° Flood) Installed	<b>-15</b> (13.4W)	<b>S</b> Universal Dimming Driver





# ECO 3" SHALLOW PLENUM

PROJECT: \_\_\_\_\_

TYPE: \_\_\_\_\_

NOTE: \_\_\_\_\_

SPEC-00272 NEW ECO, 3" SP, V-3.1, UPDATED 05/19/2023

ED3SNIC

## ORDER MATRIX

### TRIM

#### ECO 3" DOWNLIGHT TRIM ORDER MATRIX (Example: ED3-RFSTWT)

FAMILY APERTURE	TRIM SHAPE	TRIM POSITION	TRIM STYLE	TRIM FINISH	
ED3- ECO 3" Flanged	<b>R</b> (Round)	<b>F</b> (Fixed)	<b>ST</b> (Standard)	<b>WT</b> (White)	<b>BW<sup>2</sup></b> (Black w/ White Flange)
	<b>S</b> (Square)		<b>WW<sup>1</sup></b> (Wall Wash)	<b>BK</b> (Black)	<b>SW<sup>2</sup></b> (Silver w/ White Flange)
			<b>WL</b> (Wet Location)	<b>CN</b> (Champagne)	<b>CW<sup>2</sup></b> (Champagne w/ White Flange)

1. WW (Wall Wash) Style Trim ships with recommended 80° optic.
2. Color option available in ST (Standard) Style only.

#### ECO 3" DOWNLIGHT TRIMLESS ORDER MATRIX (Example: ED3-KRFSTWT)

FAMILY APERTURE	KIT	REFLECTOR SHAPE	REFLECTOR POSITION	REFLECTOR STYLE	REFLECTOR FINISH
ED3- ECO 3" Trimless	<b>K</b> (Reflector and Mudplate Kit)	<b>R</b> (Round)	<b>F</b> (Fixed)	<b>ST</b> (SNIC Shallow housing)	<b>WT</b> (White)
		<b>S</b> (Square)			<b>BK</b> (Black)
					<b>CN</b> (Champagne)

## ACCESSORIES

### ECO 3" ACCESSORIES FOR ECO ED3, ED3L, ED3S

ADDITIONAL OPTICS	OPTICAL MEDIA	EMERGENCY OPTIONS
<b>ED3-10-OPTIC<sup>1</sup></b> (10° Spot)	<b>ED3-CL</b> (Clear Lens)	<b>EM-1000</b> (25W Remote Inverter)
<b>ED3-30-OPTIC<sup>1</sup></b> (30° Narrow Flood)	<b>ED3-MP<sup>1</sup></b> (Solite Lens)	<b>EM-1002</b> (10W Remote Inverter)
<b>ED3-50-OPTIC<sup>1</sup></b> (50° Flood)	<b>ED3-FR<sup>2</sup></b> (Frosted Lens)	<b>EM-1003</b> (35W Remote Inverter)
<b>ED3-80-OPTIC<sup>2</sup></b> (80° Wide Flood)	<b>ED3-LS</b> (Linear Spread Lens)	<b>EM-1003-CA</b> (35W Remote Inverter) Title 20
	<b>ED3-HEX<sup>3</sup></b> (Hex Louver)	<b>EM-1004</b> (50W Remote Inverter)
	<b>ED3-MHLDR<sup>4,5</sup></b> (Media Holder)	<b>EM-1006</b> (25W Remote Inverter) Title 20

1. WD with 10°, 30°, 50° Optic requires MP (Solite Lens).
2. WD with 80° Optic requires FR (Frosted Lens).

3. Only available for AIC, LAIC, ANC, LANC, SNIC housings, media holder required.
4. MHLDR required when ordering 2 optical media.
5. MHLDR only compatible with AIC, ANC and SNIC.

## TRIM ACCESSORIES

### ECO 3" TRIM ACCESSORIES ORDER MATRIX (Example: ED3-R-TL)

SIZE	STYLE	
ED3- ECO 3"	<b>R-TL</b> (Round Trimless Mudplate for AIC/ANC/SNIC)	<b>R-FMA</b> (Round Flush Mount Adapter)
	<b>R-RMTL</b> (Round Trimless Mudplate for RM/NC)	<b>S-FMA</b> (Square Flush Mount Adapter)
	<b>S-TL</b> (Square Trimless Mudplate/Housing Collar)	<b>TC1</b> (Thick Ceiling Adapter for ceilings 11/16" to 1 1/4")
		<b>TC2</b> (Thick Ceiling Adapter for ceilings 1 5/16" to 2")





**ECO 3"  
SHALLOW PLENUM**

PROJECT: \_\_\_\_\_

TYPE: \_\_\_\_\_

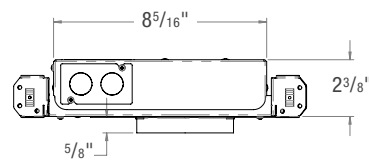
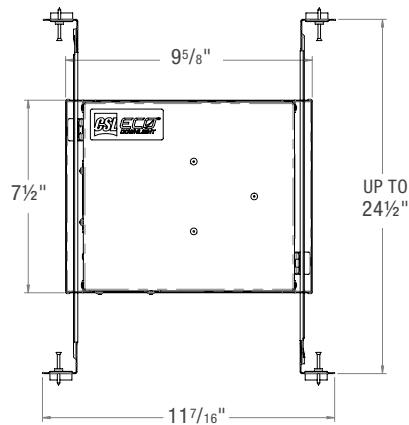
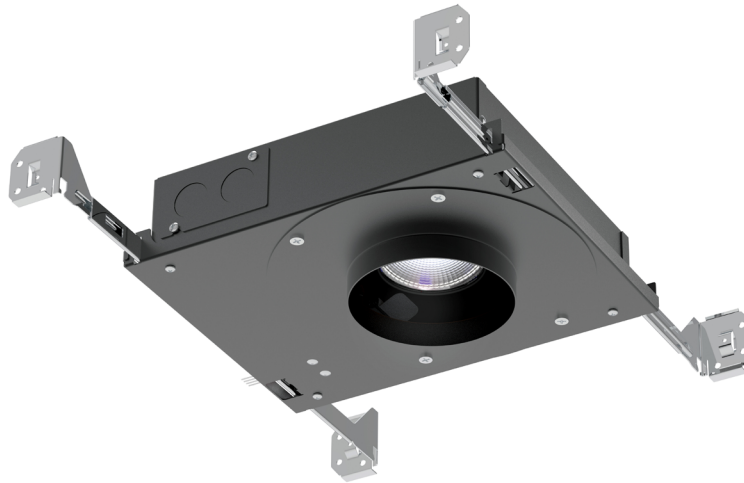
NOTE: \_\_\_\_\_

SPEC-00272 NEW ECO, 3" SP, V-3.1, UPDATED 05/19/2023

ED3SNIC

**HOUSING AND LIGHT ENGINE LINE DRAWINGS**

ED3SNIC  
ECO 3" SHALLOW PLENUM





**ECO 3"  
SHALLOW PLENUM**

PROJECT: \_\_\_\_\_

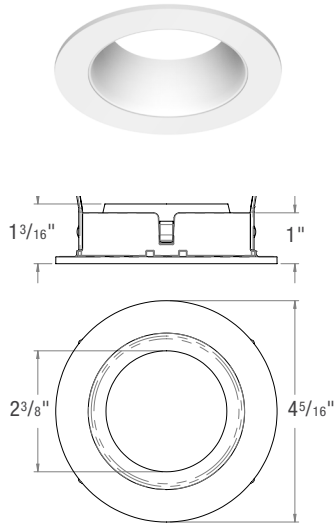
TYPE: \_\_\_\_\_

NOTE: \_\_\_\_\_

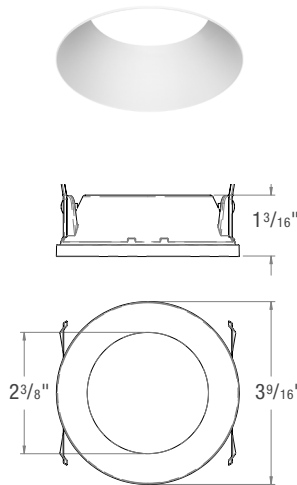
SPEC-00272 NEW ECO, 3" SP, V-3.1, UPDATED 05/19/2023

ED3SNIC

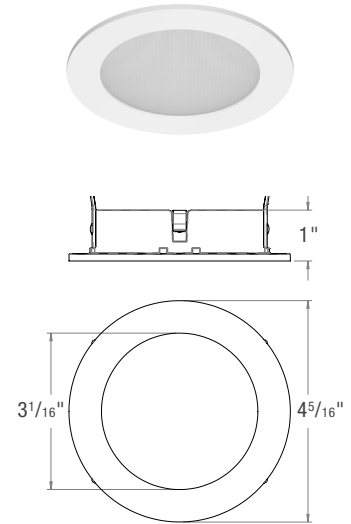
**TRIM STYLES**



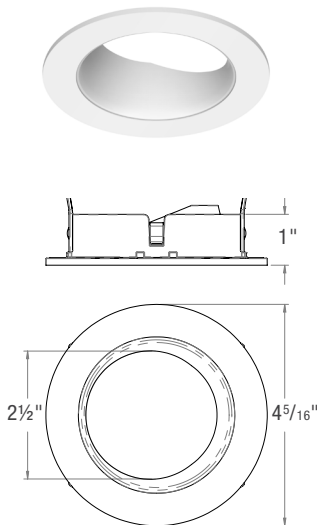
**ED3-RFST**  
Round Fixed Standard



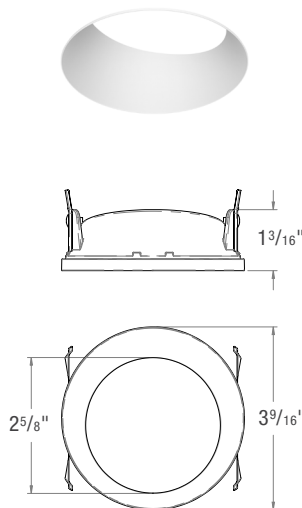
**ED3-RFTL**  
Round Fixed Trimless



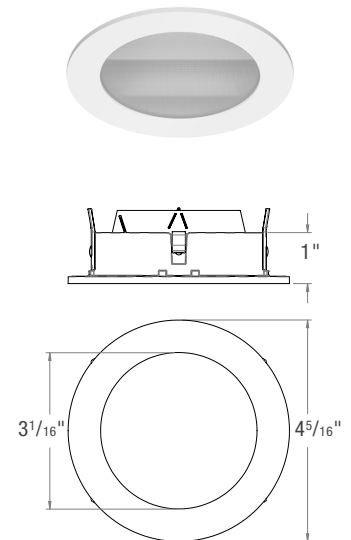
**ED3-RFWL**  
Round Fixed Wet Location



**ED3-RAST**  
Round Adjustable Standard  
Adjustable trim styles for use  
with adjustable AIC and ANC models only.



**ED3-RATL**  
Round Adjustable Trimless  
Adjustable trim styles for use  
with adjustable AIC and ANC models only.



**ED3-RFWW**  
Round Fixed Wall Wash



**ECO 3"  
SHALLOW PLENUM**

PROJECT: \_\_\_\_\_

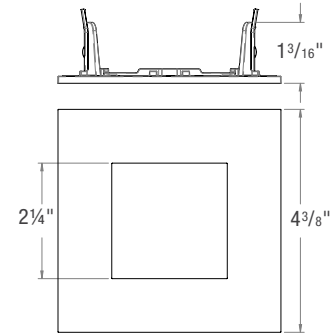
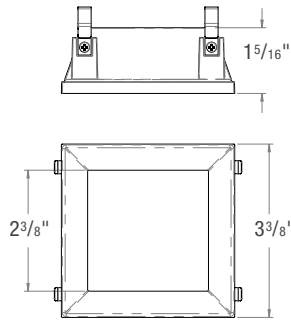
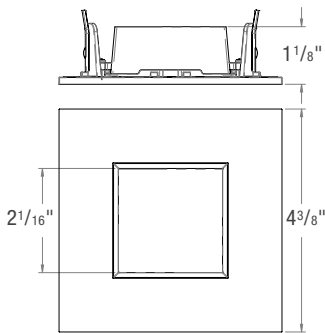
TYPE: \_\_\_\_\_

NOTE: \_\_\_\_\_

SPEC-00272 NEW ECO, 3" SP, V-3.1, UPDATED 05/19/2023

ED3SNIC

**TRIM STYLES**



**ED3-SFST**

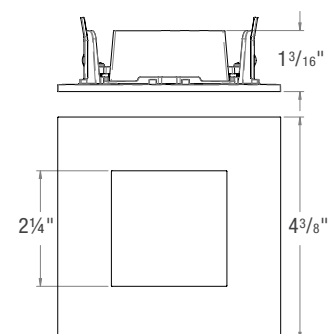
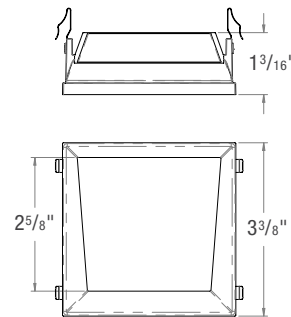
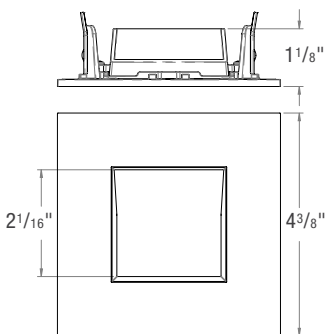
Square Fixed Standard

**ED3-SFTL**

Square Fixed Trimless  
Trimless Style for use with SNIC models only.

**ED3-SFWL**

Square Fixed Wet Location



**ED3-SAST**

Square Adjustable Standard  
Adjustable trim styles for use  
with adjustable AIC and ANC models only.

**ED3-SATL**

Square Adjustable Trimless  
Adjustable trim styles for use with adjustable AIC  
and ANC models only.

**ED3-SFWW**

Square Fixed Wall Wash



# ECO 3" SHALLOW PLENUM

PROJECT: \_\_\_\_\_

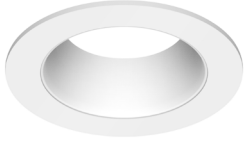
TYPE: \_\_\_\_\_

NOTE: \_\_\_\_\_

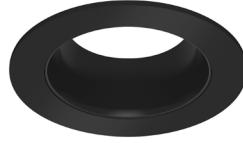
SPEC-00272 NEW ECO, 3" SP, V-3.1, UPDATED 05/19/2023

ED3SNIC

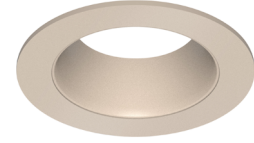
## TRIM FINISHES



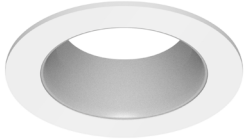
**ED3-RFSTWT**  
WT (White Reflector with White Trim)



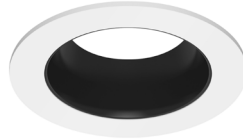
**ED3-RFSTBK**  
BK (Black Reflector with Black Trim)



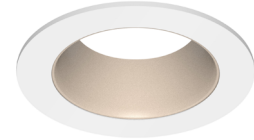
**ED3-RFSTCN**  
CN (Champagne Reflector with Champagne Trim)



**ED3-RFSTSW**  
SW (Silver Reflector with White Trim)



**ED3-RFSTBW**  
BW (Black Reflector with White Trim)



**ED3-RFSTCW**  
CW (Champagne Reflector with White Trim)



**ED3-SFSTWT**  
WT (White Reflector with White Trim)



**ED3-SFSTBK**  
BK (Black Reflector with Black Trim)



**ED3-SFSTCN**  
CN (Champagne Reflector with Champagne Trim)



**ED3-SFSTSW**  
SW (Silver Reflector with White Trim)



**ED3-SFSTBW**  
BW (Black Reflector with White Trim)



**ED3-SFSTCW**  
CW (Champagne Reflector with White Trim)



**ECO 3"  
SHALLOW PLENUM**

PROJECT: \_\_\_\_\_

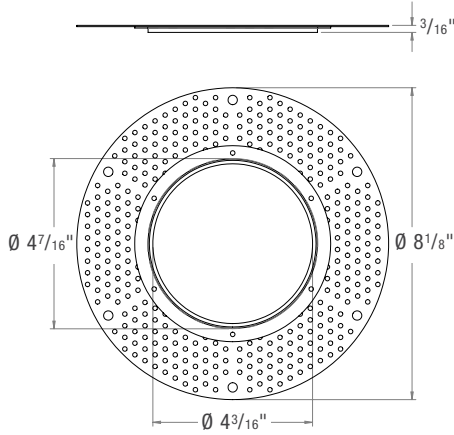
TYPE: \_\_\_\_\_

NOTE: \_\_\_\_\_

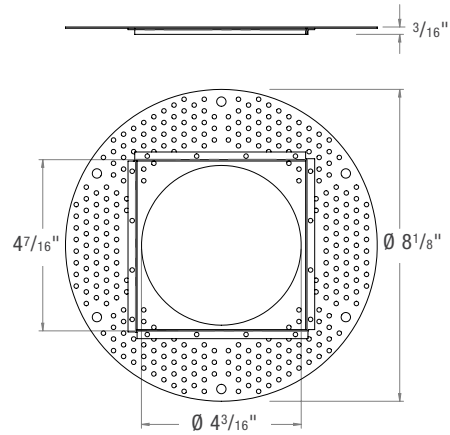
SPEC-00272 NEW ECO, 3" SP, V-3.1, UPDATED 05/19/2023

ED3SNIC

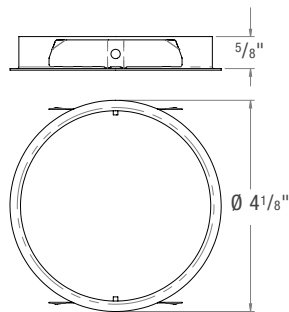
**TRIM ACCESSORIES**



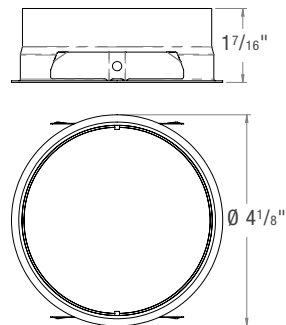
**ED3-R-FMA**  
Round Flush Mount Adapter



**ED3-S-FMA**  
Square Flush Mount Adapter



**ED3-TC1**  
Thick Ceiling Adapter  
For ceilings 11/16" to 1 1/4"



**ED3-TC2**  
Thick Ceiling Adapter  
For ceilings 1 5/16" to 2"





**ECO 3"  
SHALLOW PLENUM**

PROJECT: \_\_\_\_\_

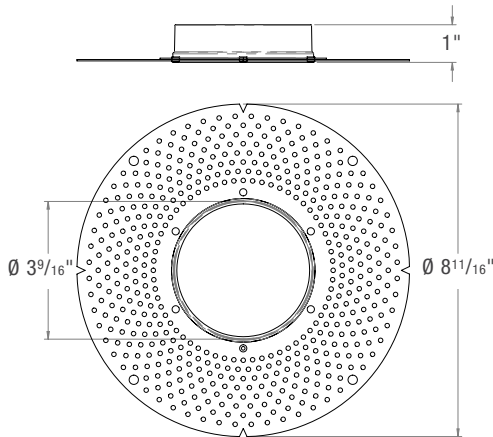
TYPE: \_\_\_\_\_

NOTE: \_\_\_\_\_

SPEC-00272 NEW ECO, 3" SP, V-3.1, UPDATED 05/19/2023

ED3SNIC

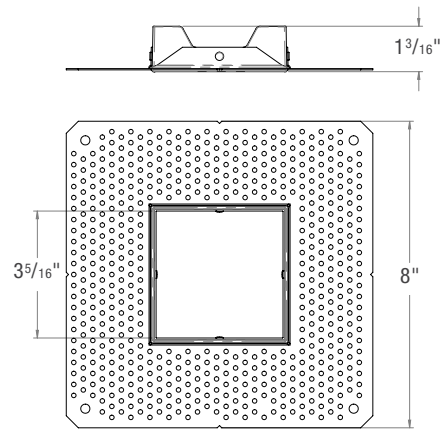
**TRIMLESS ACCESSORIES**



**ED3-R-TL**

Round Trimless Mudplate

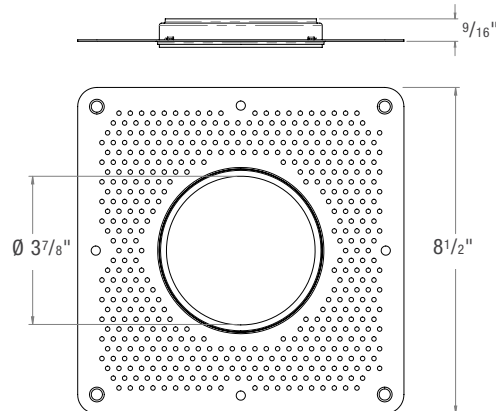
For use with AIC, ANC, SNIC housings only.



**ED3-S-TL**

Square Trimless Mudplate

For use with AIC, ANC, SNIC housings only.



**ED3-R-RMTL**

Round Trimless Mudplate

For use with NC, NIC, RM, RIC housings only.





# ECO 3" SHALLOW PLENUM

PROJECT: \_\_\_\_\_

TYPE: \_\_\_\_\_

NOTE: \_\_\_\_\_

SPEC-00272 NEW ECO, 3" SP, V-3.1, UPDATED 05/19/2023

ED3SNIC

## DIMMER GUIDE

FOR DRIVER TYPE "S"

Universal Dimming Driver, ED3S

Compatible Phase Control Dimmers			
MFG	Model	MFG	Model
Lutron	LGCL-153PL	Leviton	VPE06
Lutron	DVRP-253P	Leviton	DW1KD-1BZ
Lutron	RRD-6CL	Leviton	IPE04
Lutron	NTELV-600P	Leviton	IPL06
Lutron	DVELV-303P	Cooper	SAL06P
Lutron	MAELV-600		
Lutron	PD-6WCL		
Lutron	SELV-300P		
Lutron	DVCL-153P		

Compatible dimmer information provided by the dimming driver manufacturer

Compatible 0-10VDC Dimmers	
MFG	Model
Lutron	NFTV
Lutron	DVTV
Lutron	DVSTV
Leviton	IP710-LFZ
Lightolier	SR1200ZTUNV
Cooper	SF10P-W
Leviton	IP710-DL

Compatible dimmer information provided by the dimming driver manufacturer